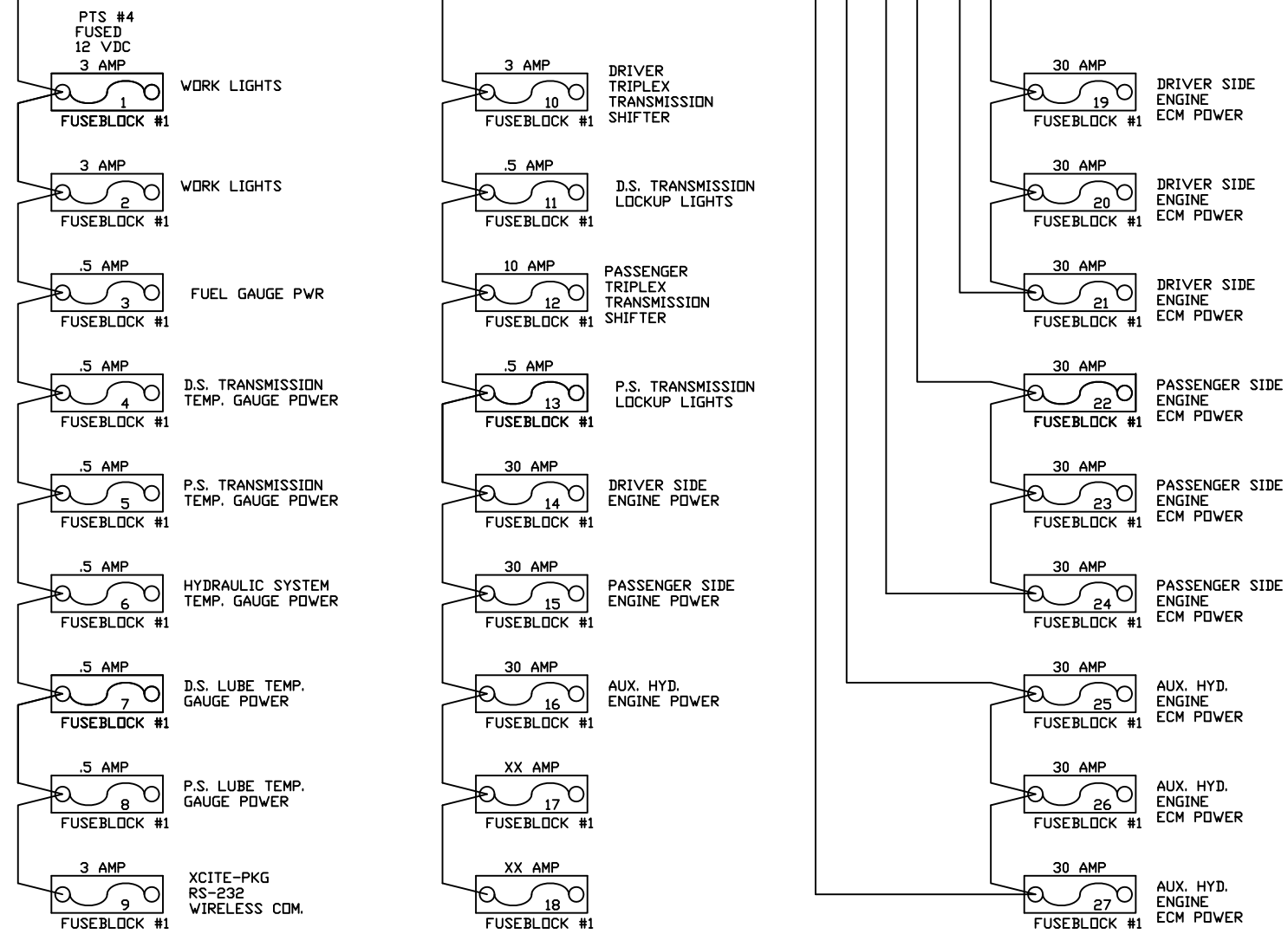


SWITCHED  
BATTERY  
12 VDC



ASSY #:  
S.O. #:  
PROJ #: 70088

<b>12 VDC POWER TWIN CEMENTER</b>				
DRW NO: XXX XX XXXXX			PAGE: 1 OF 1	
REV: A	DATE: X-X-X	DRWN. JS	APR. _	DATE: _