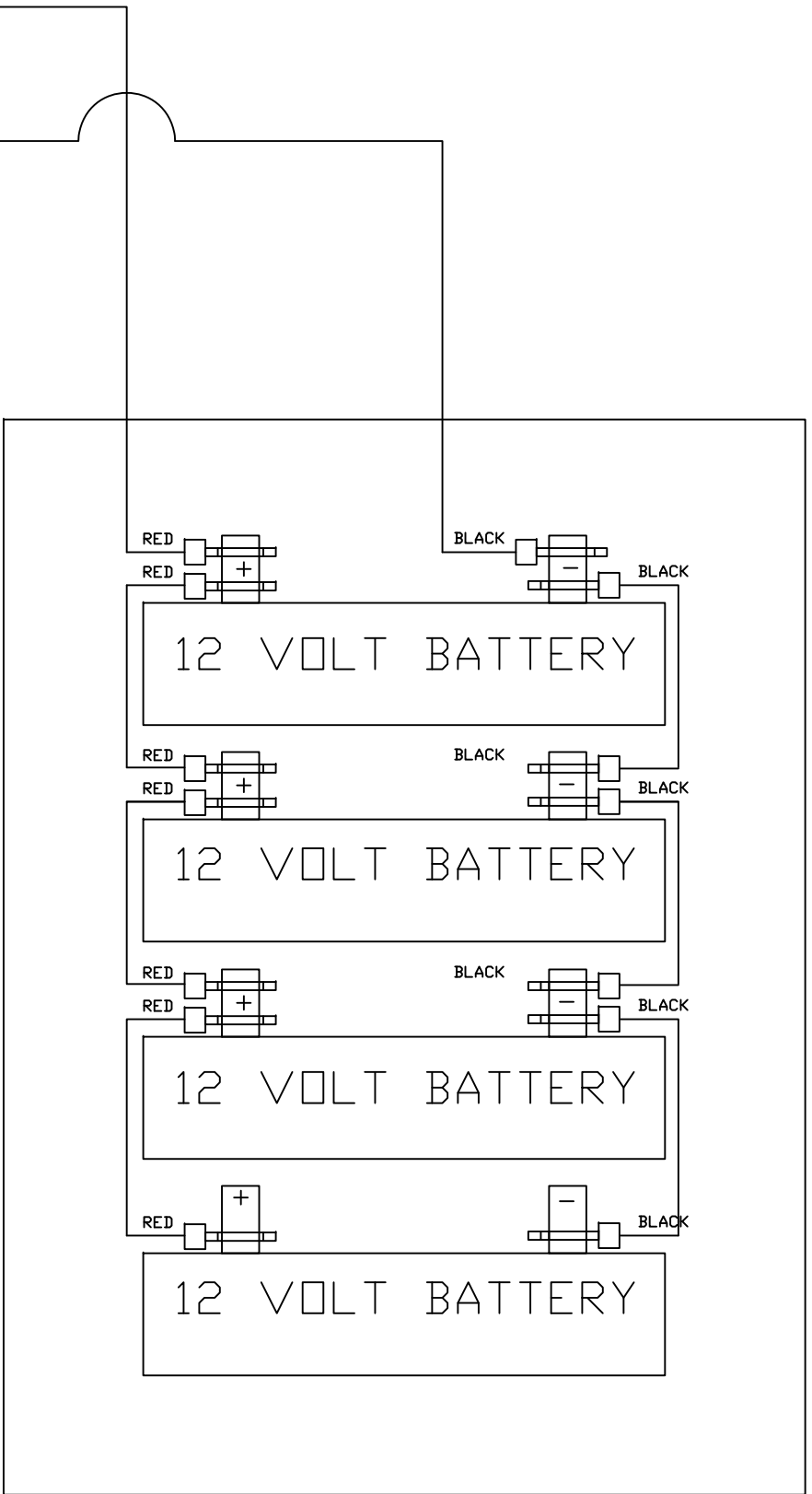


BATTERY BOX #1



BATTERY BOX #2

<b>BATTERY BOX WIRING</b>				
<b>TWIN CEMENTER</b>				
DRW NO: XXX XX XXXXX			PAGE: 1 OF 1	
REV: A	DATE: X-X-X	DRWN. JS	APR. _	DATE: _

ASSY #:
S.O. #:
PROJ #: 70088