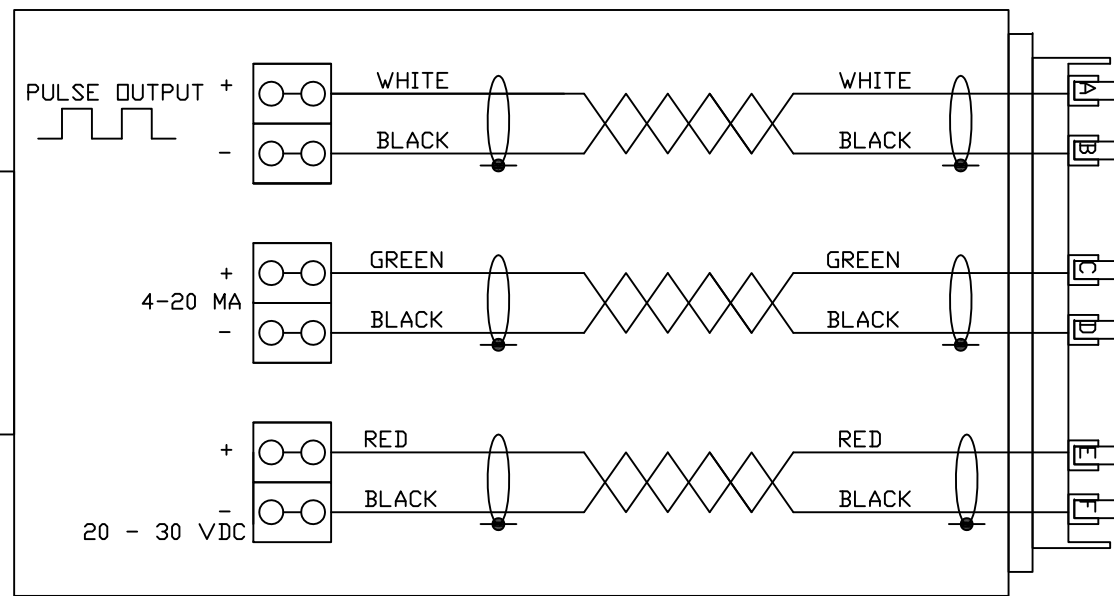


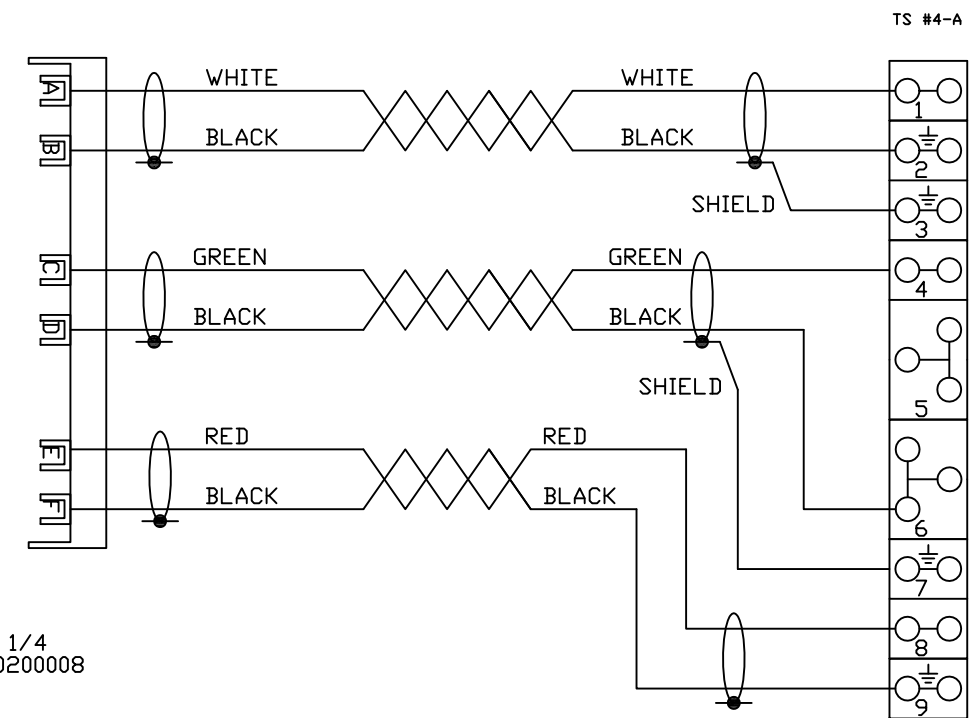
SEM PART # 404200007



SEM PART #
404100006
VENDOR PART #
MS3111F10-6P

SEM PART #
404100010
VENDOR PART #
MS3116F10-6S

BUSHING 3/4 TO 1/4
SEM PART # 4170200008



LIQUID ADDITIVE #1 MICROMOTION
TWIN CEMENTER

DRW NO: XXX XX XXXXX

PAGE: 1 OF 1

REV: A

DATE: X-X-X

DRWN. JS

APR. _

DATE: _

ASSY #:

S.O. #:

PROJ #: 70088