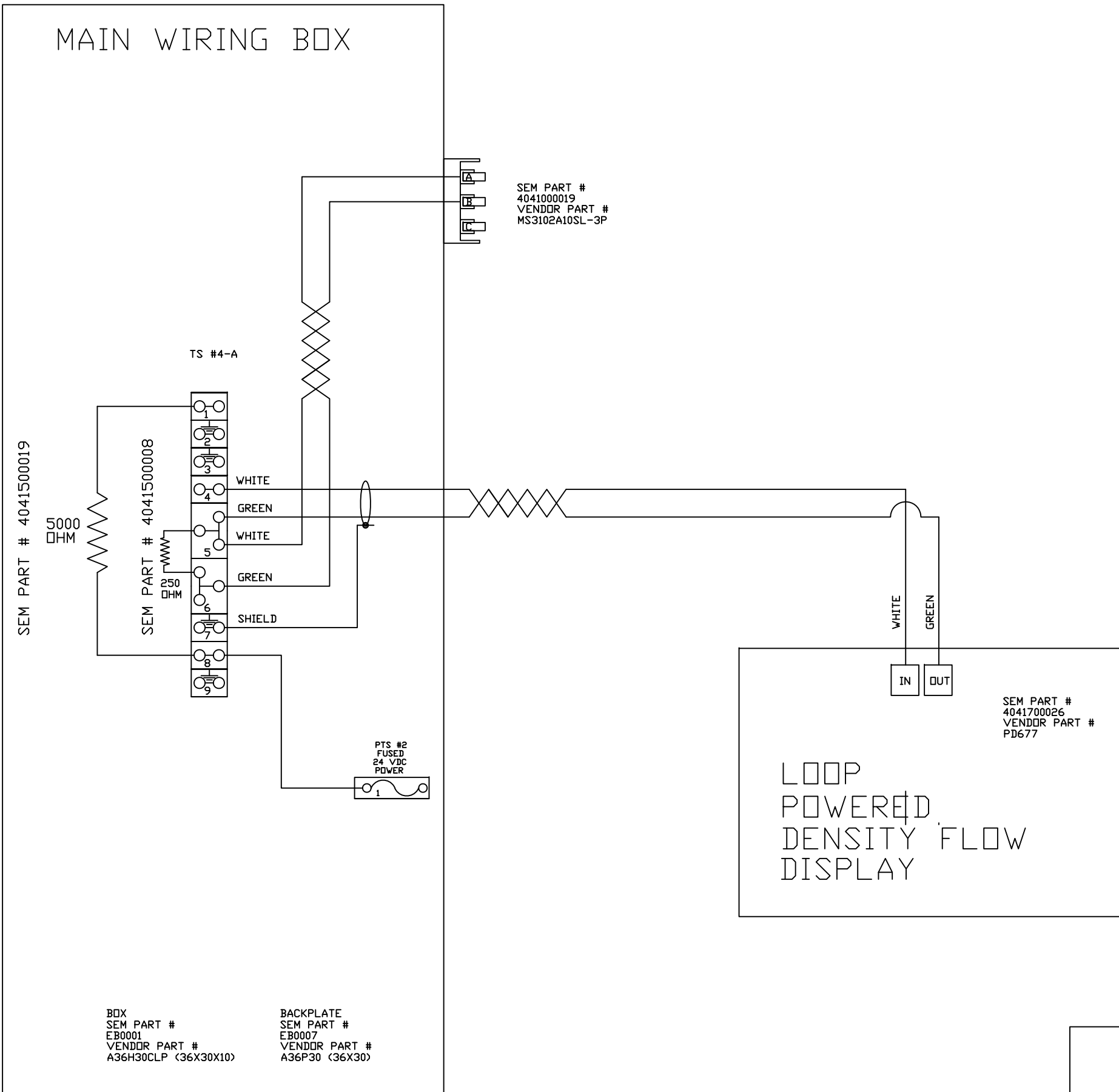


MAIN WIRING BOX



LIQUID ADDITIVE #1 MICROMOTION TWIN CEMENTER

DRW NO: XXX XX XXXXX PAGE: 1 OF 1

REV: A DATE: X-X-X DRWN. JS APR. \_ DATE: \_

ASSY #:  
S.O. #:  
PROJ #: 70088