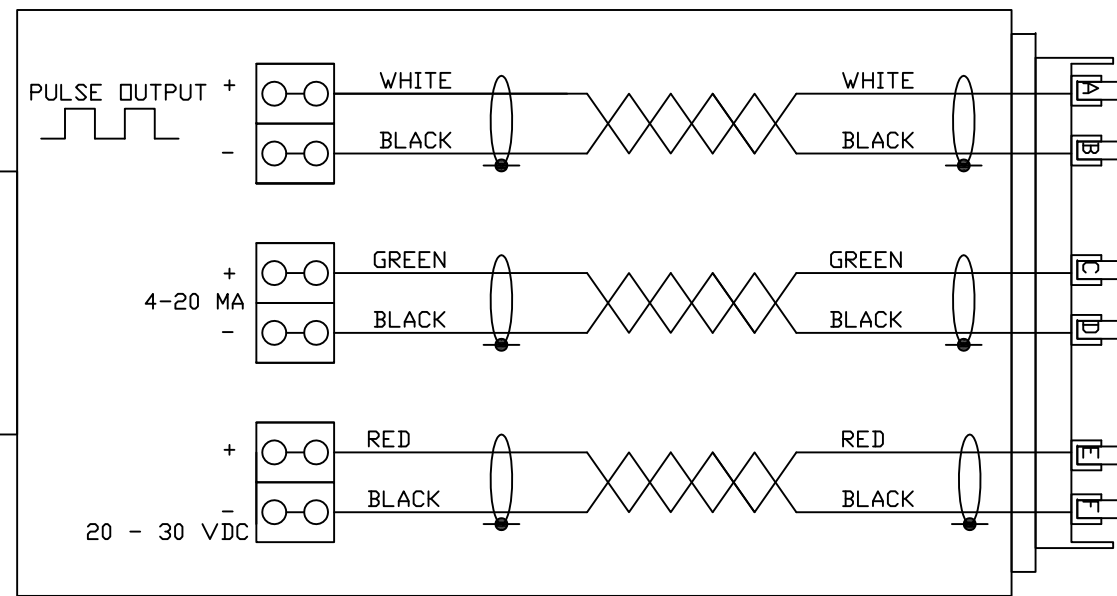


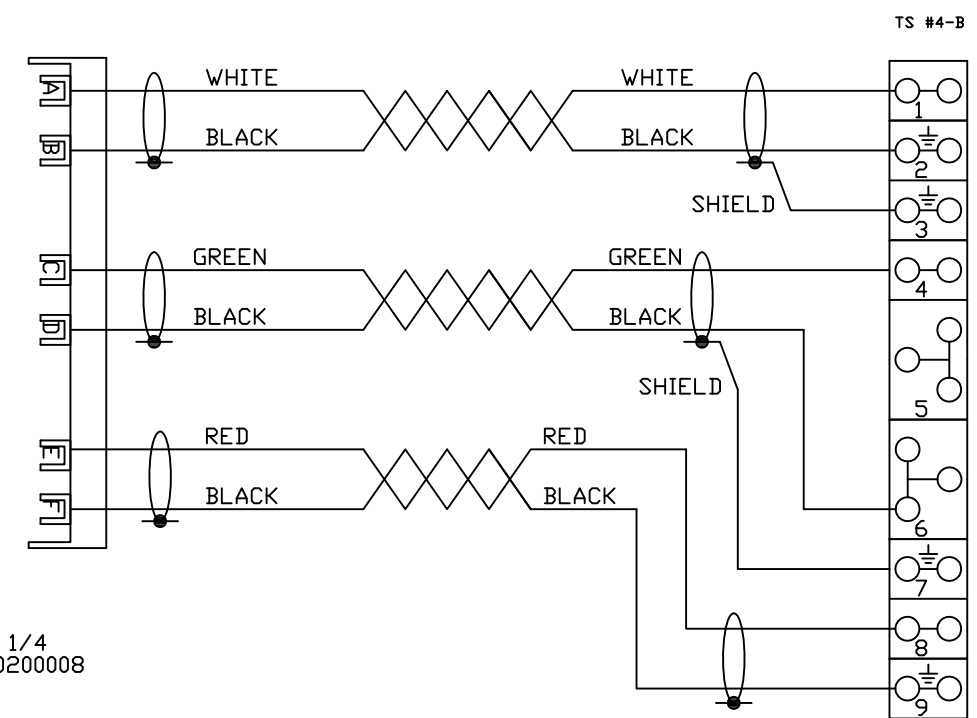
SEM PART # 404200007



SEM PART #  
404100006  
VENDOR PART #  
MS3111F10-6P

SEM PART #  
404100010  
VENDOR PART #  
MS3116F10-6S

BUSHING 3/4 TO 1/4  
SEM PART # 4170200008



LIQUID ADDITIVE #2 MICROMOTION  
TWIN CEMENTER

DRW NO: XXX XX XXXXX

PAGE: 1 OF 1

REV: A

DATE: X-X-X

DRWN. JS

APR. \_

DATE: \_

ASSY #:

S.O. #:

PROJ #: 70088